



TECHNICAL MANUAL

ULTRASURE Non-combustible Prefinished Solid Aluminium Panel

- 1. Introduction**
- 2. Quality Control**
- 3. Physical Properties**
- 4. Fire Performance**
- 5. Coating Performance**
- 6. Fabrication**
- 7. Installation Instructions**
- 8. Miscellaneous**

1.1 About This Manual:

This manual has been developed to effectively assist fabricators and contractors to work with ULTRASURE. Due to the uncontrollable conditions onsite and different methods of job scope, as well as the variable skills and judgment of installers and the quality of equipment, tools, etc, the suggestions and recommendations contained in this manual are provided without warranty. The information and recommendations herein are believed to be correct at time of publishing.

BLUECHIP reserves the right to revise the contents of this manual without prior notice. Any construction or use of the product must be in accordance with all local zoning and/or building codes and in accordance with the current NCC at the time of use. Except as contained in a written warranty certificate, the supplier does not provide any other warranty, either express or implied, and shall not be liable for any damages, including consequential damages.

1.2 Company Background:

Founded in 2003 by five brothers, BLUECHIP has grown every year since to become one of Australia's leading suppliers of architectural building envelopes. BLUECHIP's product range covers the complete system from the structure out including all types of cladding materials, composite decking, sub-framing, insulation, waterproofing and fixings.

With offices in Sydney, Melbourne and Perth, BLUECHIP has supplied more than 3,000,000m² of materials to Australian projects since 2003. Our commitment to innovation and ongoing investment in R&D ensures BLUECHIP will continue to lead the market with BCA/NCC compliant facade solutions in the years ahead.

For architects and consultants, BLUECHIP's wide range of different materials and 'complete-system' approach enables the creation of inspiring high-performance facades. For builders and contractors, BLUECHIP's large local stock, well established supply chains and genuine appreciation for our clients means you can trust us to deliver as promised every time.

1.3 Company Details:

Company: Blue Chip Group Pty Ltd
ABN: 98 162 282 064
Locations: Sydney | Melbourne | Brisbane | Perth
Phone: 1300 945 123
Email: sales@bluechipgroup.net.au



1.4 Product Description:

ULTRASURE completes our range of BCA compliant, Deemed-to-Satisfy non-combustible aluminium cladding solutions. Offering very high impact resistance and the ability to be curved, rolled or perforated, ULTRASURE panels do not require fabrication prior to coating, greatly reducing lead-times and costs. Due to its high thermal movement and the risk of score fracturing, ULTRASURE, like all 3mm solid aluminium panels, is NOT suitable for use in the common v-groove cassette fixing method, however it can be face-fixed or break-pressed into the traditional rainscreen hook-and-rail cassette system*.

***Face-Fix or Break-Press Only**

BLUECHIP does not endorse installing any brand of SOLID aluminium panels using the common v-grooved cassette system - it is a flawed methodology which will likely lead to future cracking resulting in structural failure and water ingress issues.

Curve, Roll or Perforate

The ULTRASURE 3mm aluminium panel offers excellent design versatility as it can be made into panels of almost any shape and size as well as being suitable for curved panels, rolling and perforating.

Finished Before Fabrication

Unlike traditional powder coated panels, ULTRASURE is prefinished with factory applied PVDF coating and a protective peel-off film before fabrication into cladding panels providing many practical advantages.

AS 1530.1 Non-Combustible

ULTRASURE is one of the few aluminium cladding panel solutions that is Deemed-to-Satisfy non-combustible when tested to AS 1530.1 and AS 1530.3 as per the requirements of NCC 2022 Clause C2D10(6)(e).

NCC 2022 Compliance

ULTRASURE solid aluminium panel is Deemed-to-Satisfy non-combustible as per NCC 2022 Clause C2D10(6)(e) making it compliant for use as external cladding on any project of types A, B & C construction.

Unlimited Custom Colours

ULTRASURE 3mm solid aluminium panel utilises the same PVDF coating as ULTRABOND FR and ULTRACORE so it is available in the same extensive colour range and custom colours. MOQ's apply.

PVDF Paint System

ULTRASURE 3mm aluminium panel only uses the highly recognised PVDF KYNAR 500 or FEVE paints known for their high durability, providing the optimum resistance to weather and industrial pollution.

Manufacturer's Warranty

ULTRASURE 3mm aluminium panel coating system has a long track record of consistency, reliability and quality allowing us to offer up to 15 year's warranty when installed by a licensed installer.

1.5 More Information:

[ULTRASURE Non-combustible Prefinished Solid Aluminium Panel](#)



2.1 Manufacturing Quality:

A dedication to the total fulfillment of our client's expectations is reflected by a complete quality control system, beginning at the point of specification and continuing through to delivery of the guaranteed products. All activities are carried out in a manner which:

- Uses the framework of ISO9000 Quality Standards to verify the quality of our systems.
- Ensures that our products and services are of the highest standards.
- Creates continuous improvements to our product and processes through the application of the best quality practices.

2.2 Acceptable Tolerances:

Panel Width:	+/- 3.0mm
Panel Length:	+/- 5.0mm
Thickness:	+/- 2.0%
Bow Allowed:	<0.5%
Squareness:	<5.0mm
Surface Defects:	In accordance with AAMA 2605-05

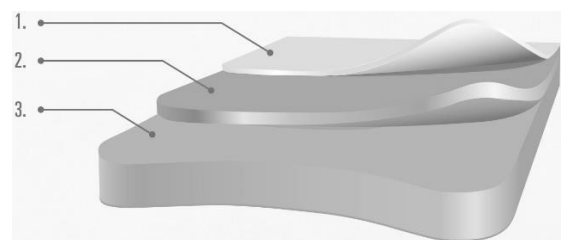
2.3 Product Warranty:

The standard product warranty is 10 years, with longer warranties available on a project specific basis. The supplier excludes all warranties in relation to the goods except for those provided in a Warranty Certificate provided to the Customer by the supplier in relation to the Goods.

A project specific full-system warranty may be available if the product is supplied with all recommended system components and fabricated and installed by a licensed installer accredited and approved by BLUECHIP in writing.

3.1 Panel Composition:

1. Peel-off Protective Film
2. PVDF Coil Coating System
3. 3mm Solid Aluminium Panel



3.2 Recommended Panel Sizes:

When proposing to use ULTRASURE or **any other similar solid aluminium products** it is very important to consider the high expansion & contraction rates of solid aluminium due to its high thermal conductivity. Panel sizes should be limited as required for any given application, considering the minimum & maximum temperatures the panel will be exposed to, the colour of the panel and the façade orientation to ensure the panels thermal movement will not exceed the systems capabilities and to ensure ongoing durability and waterproofing.

Special consideration should be given to the following.

- Overall panel sizes to ensure thermal movement will not exceed system capabilities
- Allow for adequate insulation to offset high thermal conductivity or ventilate the facade



3.3 Technical Data – Physical Properties:

ITEM	TEST STANDARD	UNIT	RESULT
Alloy Grade / Temper	Actual	-	3003 H14
Thickness	Actual	mm	3.0
Panel Weight	Actual	Kg/m ²	8.1
Rigidity	Actual	Hba	55
Elongation	Actual	%	2.9
Modulus of Elasticity	Actual	N/mm ²	72
Tensile Strength	Actual	N/mm ²	165
0.2% Proof Stress	Actual	N/mm ²	95
Yield Point	Actual	MPa	130
Melting Point	Actual	°C	640
Thermal Conductivity	ASTM C-518	W/mK	>180
Thermal Expansion	Actual	mm/m/°C	0.025

3.4 Benefits of 3000 Series Aluminium:

The standard aluminium grade used for ULTRASURE coil-coated panels is 3003 H14 which is globally recognised as the ideal alloy & temper for architectural façade panel applications with excellent performance across all key considerations including at high temperature.

Benefits of 3003 aluminium for PVDF coil-coated architectural panels include.

- Manganese alloy with no magnesium content
- No risk of stress cracks caused by sensitization as is the case with magnesium alloys
- Higher melting point = less debris & greater fire safety
- Lower thermal conductivity = less heat transfer into the building for section J compliance
- Excellent corrosion resistance
- Superior mechanical strength
- Increased workability for easier v-grooving

4.1 Deemed-to Satisfy Non-combustible:

ULTRASURE is deemed-to-satisfy non-combustible as per the requirements of the NCC 2022 Clause C2D10(6)(e) for use on any building of types A, B & C construction, classes 2-9.

4.2 Technical Data – Fire Performance:

ITEM	TEST STANDARD	UNIT	RESULT
Non-combustible	AS 1530.1	CSIRO	Pass
Non-combustible (DTS) – 2019	NCC C1.9(e)(v)	CSIRO	Pass
Non-combustible (DTS) – 2022	NCC C2D10(6)(e)	CSIRO	Pass
Ignitability Index	AS 1530.3	CSIRO	0
Spread of Flame Index	AS 1530.3	CSIRO	0
Heat Evolved Index	AS 1530.3	CSIRO	0
Smoke Developed Index	AS 1530.3	CSIRO	1
Fire Behaviour	EN 13501-1	Intertek	A1
Smoke Production	EN 13501-1	Intertek	s1
Flaming Droplets	EN 13501-1	Intertek	d0



5.1 Paint Systems:

ULTRASURE panels use only PVDF Kynar 500 or FEVE fluoropolymer-based paint systems applied using continuous coil coating. These paint systems are known for their high durability and optimum resistance to weather and industrial pollution. More than 40 years of use globally confirms the superior chemical and physical properties of fluoropolymer coatings.

ULTRASURE coatings are applied in accordance with AAMA 2605-05, the internationally recognised paint standard for architecturally finished aluminium.

5.2 Technical Data – PVDF Kynar 500 Coating Properties:

ITEM	TEST STANDARD	UNIT	RESULT
Aluminium Substrate	ASTM D1005	-	Pass
Coating Flexibility	ASTM D4145	2T	Pass
Dry Film Thickness <ul style="list-style-type: none"> ▪ Primer Coating ▪ Coloured Coating ▪ Clear Coating (If applicable) 	ASTM D1400 ASTM D1400 ASTM D1400	Mil Mil Mil	0.2-0.3 0.7-0.8 0.3-0.4
Colour Difference	ASTM 2244	4000hrs	DE<5
Gloss Retention	ASTM 2244	4000hrs	85%
Chalking Resistance	ASTM 2244	4000hrs	<8
Pencil Hardness	ASTM D3363	-	HB
Dry Film Adhesion	Actual	38°C, 24hrs	Pass
Wet Film Adhesion	Actual	100°C, 24hrs	Pass
Reverse Impact Adhesion	ASTM D3359	1/16	Pass
Bending / Gardener Impact	ASTM D3281	-	Pass
Salt Resistance <ul style="list-style-type: none"> ▪ 5% Salt Spray @ 95°F ▪ Gloss Reduction ▪ Colour Change ▪ Chalk Resistance 	ASTM B117 ASTM D523 ASTM 2244 ASTM 4214	4000hrs 5000hrs 5000hrs 5000hrs	Pass 0.8% DE=0.68 Pass
Humidity Resistance <ul style="list-style-type: none"> ▪ 100% RH @ 95°F ▪ Gloss Reduction ▪ Colour Change ▪ Chalk Resistance 	ASTM B117 ASTM D523 ASTM 2244 ASTM 4214	4000hrs 5000hrs 5000hrs 5000hrs	Pass 0% DE=0.52 Pass
Weather Resistance <ul style="list-style-type: none"> ▪ Exterior Exposure @ 45° ▪ Gloss Reduction ▪ Colour Change ▪ Chalk Resistance 	South Florida ASTM D523 ASTM 2244 ASTM 4214	10 years 5000hrs 5000hrs 5000hrs	Pass 6.2% DE=0.27 Pass
Chemical Resistance <ul style="list-style-type: none"> ▪ Mortar Test ▪ Gloss Reduction ▪ Colour Change 	ASTM C207 ASTM D523 ASTM 2244	24hrs 16hrs 16hrs	Pass 6.2% DE=0
Solvent Resistance - MEK	ASTM 2794	Double Rub	Pass
Acid Resistance – 10% H2SO4	ASTM 1308	7 days	Pass
Alkali Resistance – 10% NaOH	ASTM 1308	7 days	Pass
Detergent Resistance – 3%	ASTM D2248	72hrs	Pass



6.1 V-grooving (To create rolled edge ONLY):

V-grooving ULTRASURE or any other brand of SOLID aluminium panel to fabricate cassette panels as is traditionally done with ACP is not recommended by BLUECHIP as this system was never designed for solid aluminium. V-grooving the ULTRASURE panel to create a rolled edge is required however this is for aesthetic and paint durability reasons only and is in no way structural

The recommended overall depth for v-grooving the ULTRASURE (to form the rolled edges only) is to leave between 0.7-0.8mm of total material remaining. In any case, the material remaining at the base of the v-groove should never be less than 0.7mm.

Like standard ACP, a 90-degree v-groove router bit should be used with a minimum 3.0mm flat at the base of the v-groove. **As with any other solid aluminium panels**, it is not possible to visually check the depth of the v-groove by looking to see how much core is remaining as is common practice with traditional ACP and ULTRACORE panels so great care should be taken.

Accordingly, we only recommend v-grooving ULTRASURE panels on precision flat-bed CNC routers with maximum +/-0.1mm accuracy and operated by an experienced fabricator to ensure v-groove depth does not exceed 0.7mm under any circumstance.

MACHINE	TOOLING	DEPTH	M/Min
CNC Router (Recommended)	90° with a flat 3.0mm wide base	Min 0.7mm of material remaining	5-10
Wall Saw or Portable Saw	Not allowed	Not allowed	Not allowed

6.2 Cutting:

ULTRASURE can be cut with identical tooling to that used for ULTRABOND FR and similar ACP's. For CNC router machines, an up-spiral cutter is recommended to assist with swarf removal. There is no coolant required on the cutter or v-groove tooling when fabricating ULTRASURE panels although methylated spirits may be used to achieve maximum speeds.

6.3 Rolling:

ULTRASURE can be rolled to form a curved panel the same as traditional ACP's. Rolling machines with 2 sets of rollers are recommended for best results and rollers should be perfectly clean and free from swarf which may damage the panels. It is recommended to conduct testing to ensure satisfaction with the results before commencing production.

6.4 Recommended Panel Sizes:

When proposing to use ULTRASURE or **any other similar solid aluminium products** it is very important to consider the high expansion & contraction rates of solid aluminium due to its high thermal conductivity. Panel sizes should be limited as required for any given application, considering the minimum & maximum temperatures the panel will be exposed to, the colour of the panel and the façade orientation to ensure the panels thermal movement will not exceed the systems capabilities and to ensure ongoing durability and waterproofing.

Special consideration should be given to the following.

- Overall panel sizes to ensure thermal movement will not exceed system capabilities
- Allow for adequate insulation to offset high thermal conductivity or ventilate the facade

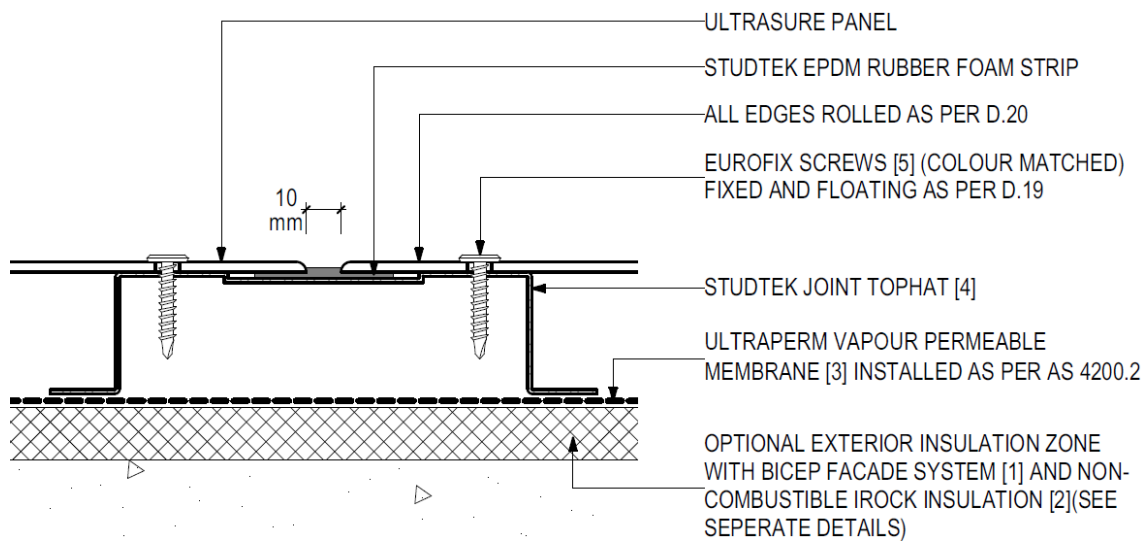


7.1 Installation:

Mechanical fixing with EUROFIX colour-matched screws and fixed and floating screw locations is the only recommended installation system for ULTRASURE.

Installation Details:

The panels shall be fabricated and installed in accordance with the most recent version of the ULTRASURE Installation Details which are available online at www.bluechipgroup.net.au or by emailing sales@bluechipgroup.net.au or by calling **1300 945 123**. (Only PDF installation details are available online. For CAD/DWG installation details email or call as above).



7.2 Acceptable System Components:

Insulated Façade System - OPTIONAL:

For an optional insulated façade system use BICEP façade brackets and support profiles with IROCK non-combustible insulation to achieve an engineered acoustic and thermal barrier.



Sarking:

The sarking shall be ULTRAPERM vapour permeable membrane which is; deemed-to-satisfy 'non-combustible' as per NCC 2022 Clause C2D10(6)(f), is AS 4200.1 compliant and classified as a 'water barrier' as per NCC 2022 Clauses F3D3 and F8D3(1), is classified as 'class 4 vapour permeable' for compliant use in all climate zones 1-8 as per NCC 2022 Clauses F8P1 and F8D3(2), and is installed in accordance with AS 4200.2 for deemed-to-satisfy weatherproofing.





Sub-framing System:

The sub-framing system shall be STUDTEK steel top-hats attached to the main structure (or BICEP Façade System) in a manner to ensure all applied loadings to the cladding is transferred back to the main structure. Size and spacing of top hat members shall be determined according to applied loads and deflection limitations for any given project. Top-hat centres shall be maximum 600mm or installed in a matrix layout to provide full perimeter support to each panel as required to adequately support the cladding system.



Colour-matched Screws:

Shall be EUROFIX colour-matched screws supplied by Blue Chip Group Pty Ltd. The screws shall be installed using fixed and floating locations as per ULTRASURE Install Details.



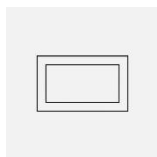
Panel Joint Sealant:

Panel joints are to be sealed with PROLASTIK NC silicone sealant supplied by Blue Chip Group Pty Ltd and installed over closed cell foam backing rod to manufacturer's specifications.



Stiffeners & Tape (Break-press Application Only):

As a minimum, the stiffeners shall be ULTRAFIX 40 x 20 x 3mm RHS (rectangle hollow section) extruded aluminium alloy AA 6063-T5 supplied by Blue Chip Group Pty Ltd. The stiffeners are to be fixed to the back of the ULTRACORE IQ panel using two continuous strips of 12mm wide TESA 7044 ACXplus double-sided tape and a suitable structural adhesive. All stiffeners shall be mechanically fixed to the cassette-fix panel returns at each end in accordance with the manufacturer's install details. Tapes should be applied in accordance with all tape manufacturer's guidelines for preparation and application.





7.3 General Installation Guidelines:

- All sheets should be installed in the same direction as marked on the protective film to prevent possible finish variation.
- As minor colour variation can occur between production lots, it is recommended to place total requirements for a project in one order to ensure colour consistency.
- Where aluminium materials come into contact with dissimilar metals, a proper insulator, protective coating or caulking tape should be applied to insulate between dissimilar materials in order to avoid bimetallic corrosion and/or electrolytic action.
- The panels should be installed before the protective film is removed.

7.4 Recommended Panel Sizes:

Panel sizes should be limited as required for any given application, considering the minimum & maximum temperatures the panel will be exposed to, the colour of the panel and the façade orientation to ensure the panels thermal movement will not exceed the systems capabilities and to ensure ongoing durability and weatherproofing.

Special consideration should be given to the following.

- Overall panel sizes to ensure thermal movement will not exceed system capabilities.
- Allow for adequate insulation to offset high thermal conductivity or ventilate the façade.

8.1 Protective Film:

- Make sure no damage will occur to the panel prior to the removal of the protective film.
- Remove the protective film within 45 days of installation to avoid glue residue on panel surface due to weathering.
- Do not apply PVC tapes, polyurethane sealant or silicone sealant onto ULTRASURE protective film. The plasticiser contained in these materials can penetrate the protective film and cause a gloss change in the coating.
- Do not apply spray paint or permanent marker to the film as the colour may penetrate the film and affect the surface coating of the panel.

8.2 Storage & Handling:

- Considerable care should be taken in the handling of ULTRASURE as the panels are sensitive to impact particularly from small hard objects such as stones which can dent the aluminium cover sheet
- A minimum of two people should be used when moving and stacking large sheets to avoid surface damage. Sliding panels should be avoided unless they are back-to-back.
- Pallets of ULTRASURE should be stored horizontally in a cool and dry area where temperature is stable with adequate support to prevent sagging.
- Stacked pallets should be identically sized and not more than three (3) pallets high.

8.3 Cleaning & Maintenance:

- The cladding shall be cleaned and maintained in accordance with AAMA 609 & 610-09 as required to avoid any accumulation of surface contaminants and to maintain the desired performance and appearance.